

Medical Equipment Roll Stand

Model:RS008-101-ZG

User Manual

CONTENT

1	Safety Information	2
2	Equipment Symbols	3
3	Area of application/ Intended use	3
4	Reporting obligation	3
5	CE Mark	4
6	Manual Safekeeping	4
7	Specification	5
8	Roll Stand Parts Schematic	6
9	Assemble the roll stand	7
10	Maintenance and Adjustment	9
11	Cleaning and disinfection	10

1 Safety Information

1.1 Dangers

There are no dangers that refer to the product in general. Specific “Danger” statements may be given in the respective sections of this operation manual.¹

1.2 Warnings

 **WARNING**

ℓ **Do not dismantle the wall frame by yourself.**

The maintenance of the roll stand must be carried out by maintenance personnel trained and authorized by the company.

ℓ **Handle packaging materials**

You must comply with local regulations or the hospital's waste disposal system. Packaging materials must be placed out of reach of children.

ℓ **MORTAL DANGER BY ELECTRIC SHOCK**

The electric cables of ME equipment and ME systems may only be connected to the power source and to the medical device respectively after finishing installation. Prior to maintenance or dis-assembly all power cables must be disconnected from the power source.

1.3 Cautions

 **CAUTION**

ℓ **MOUNTING THE MEDICAL ELECTRICAL EQUIPMENT**

Only when all screws are tightened and securely fixed can the ME equipment be mounted.

1.4 Note









Note

ℓ **Please select the corresponding medical equipment according to the model to install the monitor.**

2 Equipment Symbols

NOTE

ℓ Some symbols may not appear on all equipment.

	Attention: Consult accompanying documents (this manual).		Serial number
	Read Operator's Manual		CE mark
	Manufacturer		Importer
	Manufacture date		Medical Device

3 Area of application/ Intended use

Medical Equipment Roll Stand are intended to mount and position medical electrical equipment (hereafter referred to as ME equipment) and accessories to those and are used in operating theaters as well as treatment rooms as auxiliary devices for doctors and medical staff.

4 Reporting obligation

Reporting obligation

Any serious incident that has occurred in relation to the device should be reported to the manufacturer and the competent authority of the Member State in which the user and/or patient is established.

5 CE Mark



6 Manual Safekeeping

For any questions that may arise at a later time please safe-keep our manual!

7 Specification

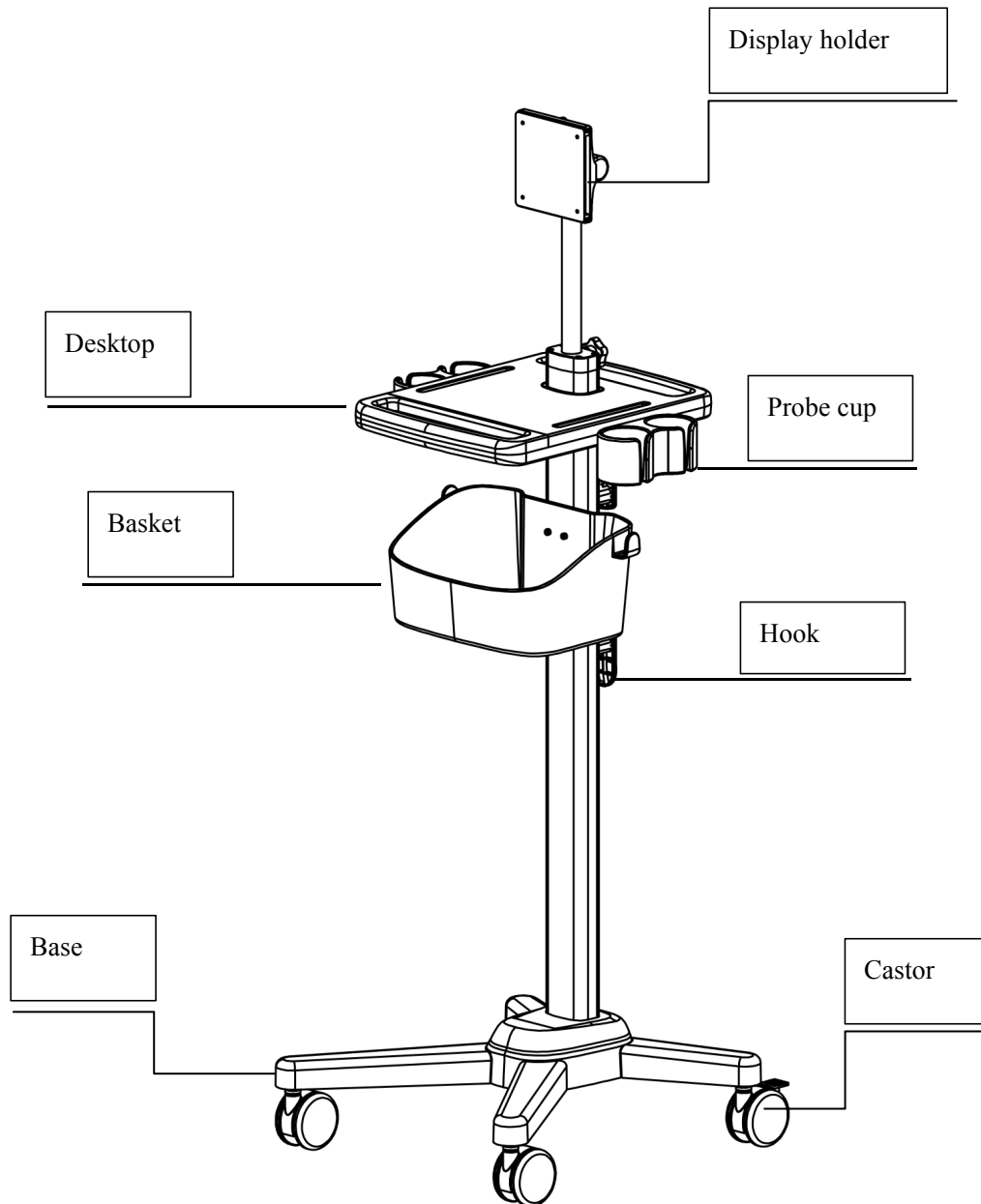
7.1 Hardware Specifications

Model	E.W.TB.RS008-101-ZG
Photo	
Load Capacity	1~8Kg as Standard
Trolley Size	450*469*1457mm
Height	1045~1457mm
Basket	300*150*213mm, <u>load 2kg</u>
Tablet	300*400mm, <u>load 2kg</u>
Adjust Way	Manual lift
Material	Aluminum alloy+Sheet metal+ABS
Package Size	<u>78*63*21.5cm (1PCS in 1 Carton)</u>
Net Weight	12±0.3kg (1PCS)
Gross Weight	15±0.3kg (1PCS)
Certificates	ISO13485/ISO9001/CE/FDA

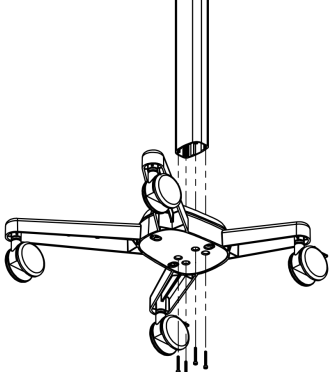
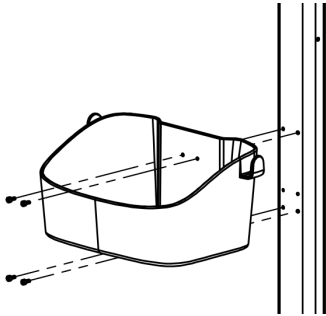
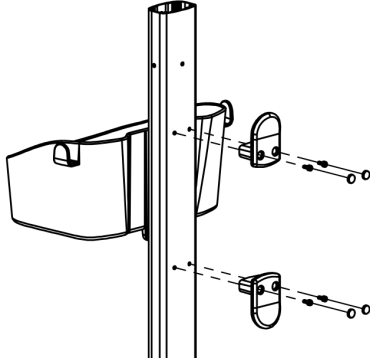
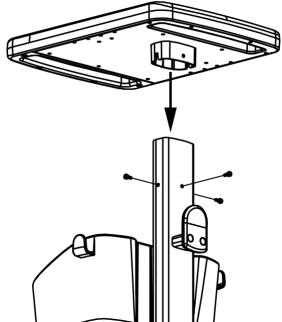
7.2 Environmental Specifications

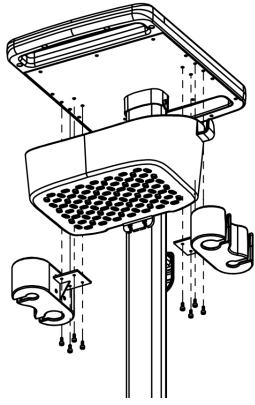
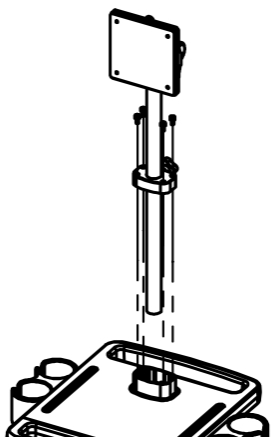
Temperature range	Operating	0 °C ~+40 °C
	Storage	-40°C~+70°C
Humidity range	Operating	15% - 95 %, non-condensing
	Storage	10% - 95 %, non-condensing
Altitude range	Operating	-500 ~ +4,600 m (57.0kPa~106.0kPa)
	Storage	-500 ~ + 4,600 m (50.0kPa~106.0kPa)

8 Roll Stand Parts Schematic



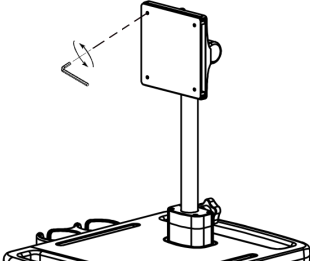
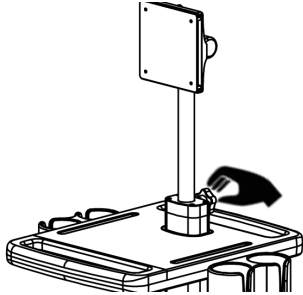
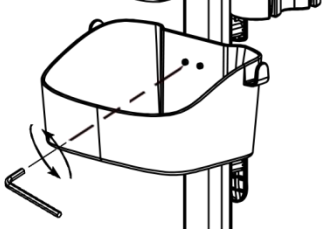
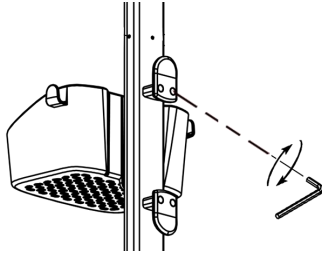
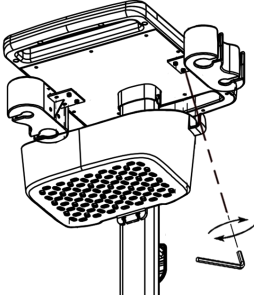
9 Assemble the roll stand


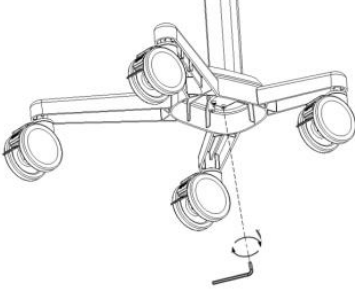
<p>1</p>	<p>Install the pole</p> <ul style="list-style-type: none">- Insert Roll Stand Pole to the base-Use 4 PCS hex screws and spacer to lock the pole.	
<p>2</p>	<p>Install the basket</p> <ul style="list-style-type: none">-Fix the basket to the pole mounting hole with 4 hexagon socket screws,Cover the screw holes with rubber plugs	
<p>3</p>	<p>Install the hook</p> <ul style="list-style-type: none">-Fix the hook to the pole mounting hole with 4 hexagonal socket screw,Cover the screw holes with rubber plugs	
<p>4</p>	<p>Install the desktop</p> <ul style="list-style-type: none">-Fix the desktop to the pole mounting hole with 3 grub screws	

<p>5</p>	<p>Install the Probe cup</p> <p>-Fix the Probe cup to the desktop mounting hole with 8 hexagonal socket screw</p>	
<p>6</p>	<p>Install the monitor stand</p> <p>-Fix the monitor stand to the pole mounting hole with 4 hexagonal socket screw</p>	

10 Maintenance and Adjustment.

Very little maintenance is required during the life span of the roll stand, however it is recommended to check all pivot /swivel points as well as all bearing points regularly . Please check all screws on a regular basis (at least once a year) and tighten them if necessary.

No.	Items	Reference photo	Cycle
1	Display connection fixing screw		12month
2	Display lift adjustment screw		12month
3	Basket Screw		12month
4	Hook Screw		12month
5	Probe cup Screw		12month

	Pole Screw		12month
---	------------	--	---------

11 Cleaning and disinfection

Roll stand may be cleaned with mild , non-abrasive solutions commonly used in hospital environment (e.g. diluted bleach , ammonia , or alcohol solutions).

The surface finish may be permanently damaged by strong chemicals and solvents such as acetone and trichloroethylene.

Do not use steel wool or other abrasive materials. Avoid all liquids entering the roll stand.

CAUTION: We make no claims concerning the efficacy of the disinfection process. Please consult your hospital's infection control manager

医疗设备推车

型号: RS008-101-ZG

用户手册

目录

1 安全信息	2
2 设备符号	3
3 应用领域/预期用途	3
4 报告义务	3
5 CE 标识	4
6 妥善保管用户手册	4
7 规格	5
8 推车零件示意图	6
9 组装推车	7
10 维护和调整	9
11 清洁和消毒	10

1 安全信息

1.1 危险

本说明书中没有危险等级的安全信息。

1.2 警告



ℓ 不得自行拆卸墙架

对推车的维修必须由经过本公司培训和授权的维修人员进行。

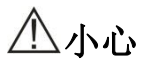
ℓ 处理包装材料

必须遵守当地相关的法规、或医院的废物处理制度。包装材料必须放置在儿童接触不到的地方。

ℓ 电击危险

安装完成后，医疗设备和医疗设备系统的电缆只能分别连接到电源和医疗设备。在维护或拆卸之前，必须将所有电源线从电源上断开。

1.3 小心



ℓ 安装医疗电气设备

只有拧紧并牢固地固定所有螺钉，才能安装医疗设备。

1.4 注意

注意

ℓ 请根据医疗设备型号选择对应的机器安装显示器。

2 设备符号

	注意！ 查阅随机文件		序列号
	请阅读说明书		CE 标志
	生产厂家		进口商
	生产日期		医疗设备

3 应用领域/预期用途

医疗设备推车旨在将医疗电气设备（以下称为医疗设备）及其配件安装和定位到这些设备上，并在手术室和治疗室中用作医生和医务人员的辅助设备。

4 报告义务

与设备有关的任何严重事件都应报告给制造商和建立用户和/或患者所在成员国的主管当局。

5 CE 标识



6 妥善保管用户手册

对于以后可能出现的任何问题，请妥善保管我们的用户手册！

7 规格

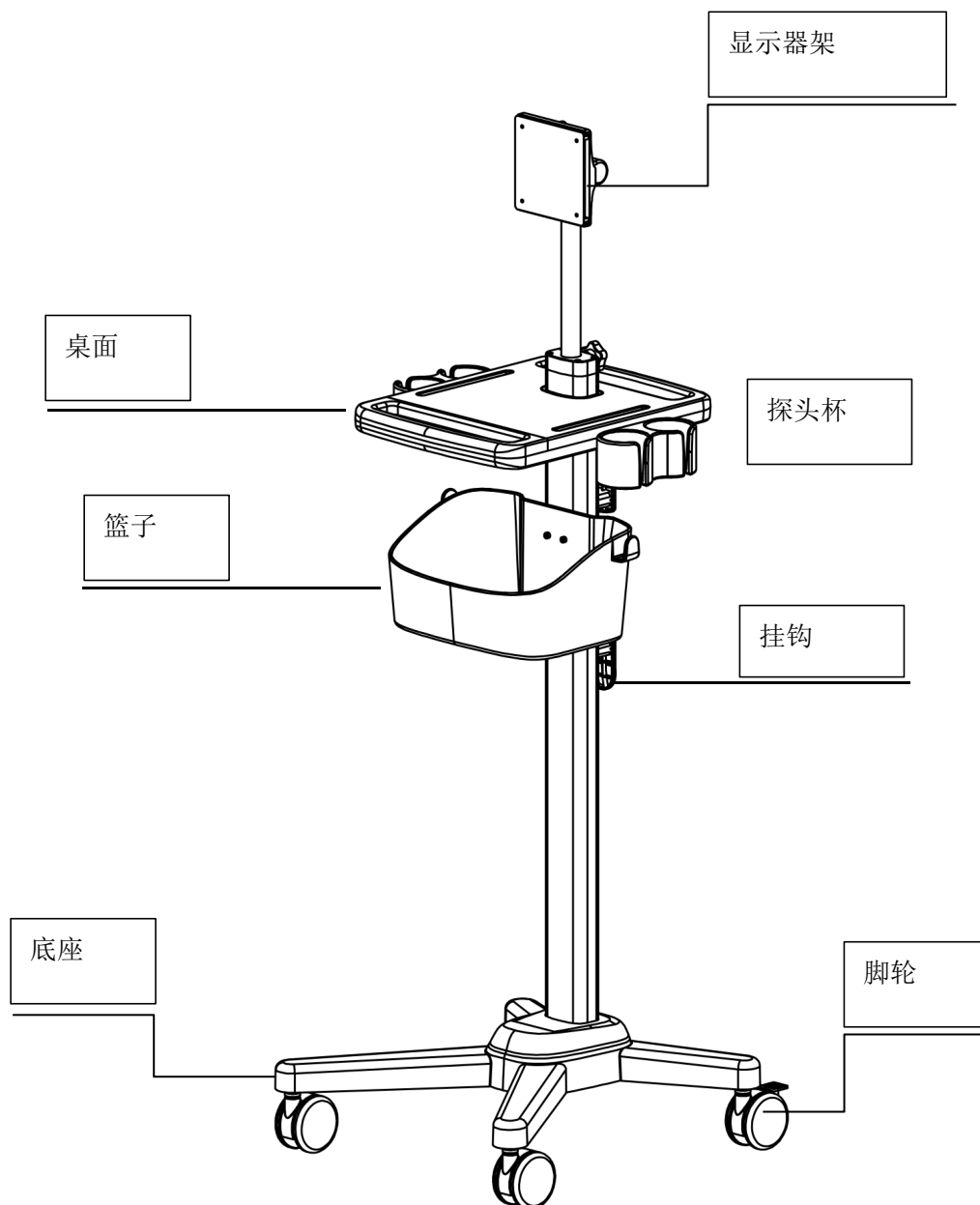
7.1 硬件规格

产品型号	E.W.TB.RS008-101-ZG
图片	
产品承重	1~8Kg 标准配置
推车尺寸	450*469*1457mm
推车高度	1045~1457mm
篮子	尺寸：300*150*213mm 承重 2kg
桌面	尺寸：300*400mm 承重 2kg
升降方式	机械升降
材质	铝合金-表面阳极氧化、钣金-喷粉， ABS
包装尺寸	78*63*21.5cm (一件一箱)
净重	12±0.3kg (1 件)
毛重	15±0.3kg (1 件)
认证	ISO13485/ISO9001/CE/FDA

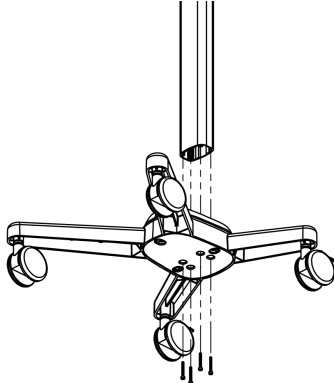
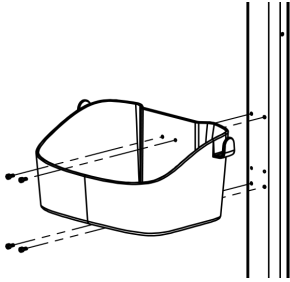
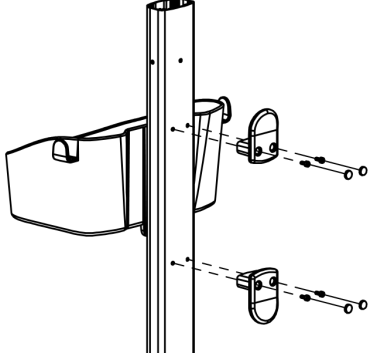
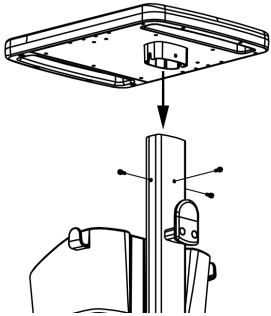
7.2 环境规格

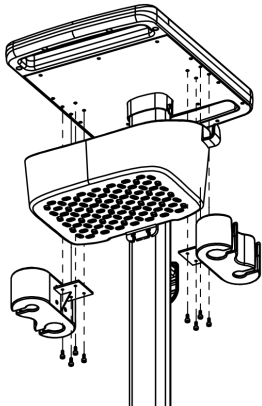
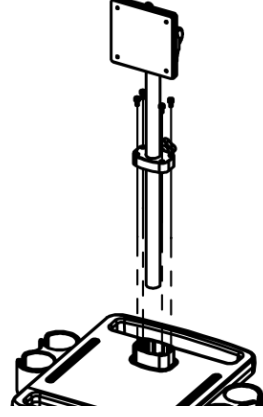
温度范围	工作	0°C~+40°C
	不工作 (贮存)	-40°C~+70°C
相对湿度范围	工作	15% - 95 %, 无冷凝
	不工作 (贮存)	10% - 95 %, 无冷凝
海拔高度范围	工作	-500 ~ +4,600 m (57.0kPa~106.0kPa)
	不工作 (贮存)	-500 ~ +4,600 m (50.0kPa~106.0kPa)

8 推车零件示意图



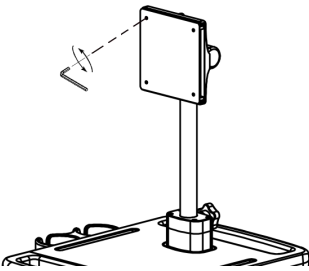
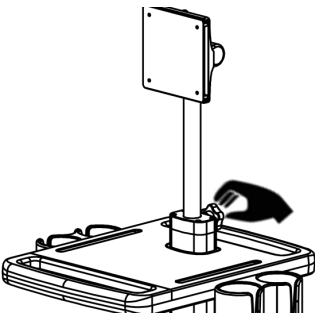
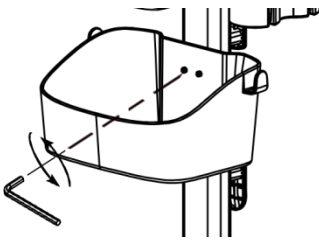
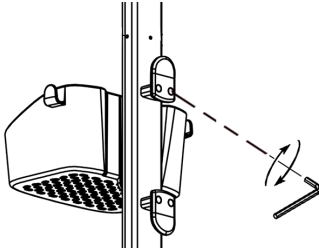
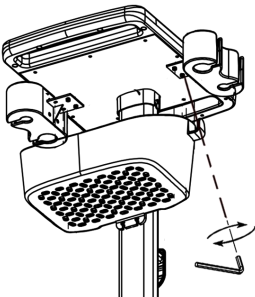
9 组装推车

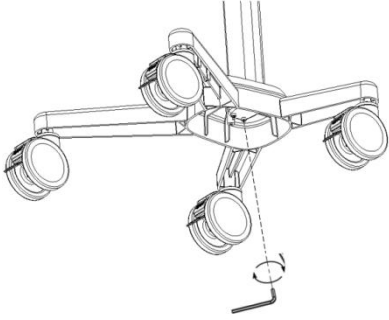
<p>1</p>	<p>安装立杆</p> <ul style="list-style-type: none">- 将立杆插入底座- 用 4 个内六角螺丝和垫片将立杆固定到底座	
<p>2</p>	<p>安装篮子</p> <ul style="list-style-type: none">- 用 4 个内六角螺丝将篮子固定到立杆安装孔上，用胶塞盖住螺丝孔。	
<p>3</p>	<p>安装绕线勾</p> <ul style="list-style-type: none">- 用 4 个内六角螺丝将绕线勾固定到立杆安装孔上，用胶塞盖住螺丝孔。	
<p>4</p>	<p>安装桌面</p> <ul style="list-style-type: none">- 用 3 个平头螺丝将桌面安装在立杆上安装孔上	

<p>5</p>	<p>安装探头杯 - 用 8 个内六角螺丝将桌面安装在桌面底部的安装孔上</p>	
<p>6</p>	<p>安装显示器固定件安装到桌面 - 用 4 个内六角螺丝将固定件安装到立杆顶部上</p>	

10 维护和调整

推车在保修期内只需要很少的维护，但我们建议至少每 12 个月定期检查和调整一次，并检查所有螺丝，如有需要拧紧到合适位置。

序号	维护项目	图示	周期
1	显示屏连接固定螺丝		12 个月/次
2	显示屏升降调节螺丝		12 个月/次
3	篮子固定螺丝		12 个月/次
4	绕线勾固定螺丝		12 个月/次
5	探头杯螺丝		12 个月/次

6	底座螺丝		12个月/次
---	------	--	--------

11 清洁和消毒

可以用通医院常用的清洁剂（例如稀释的漂白剂，氨水或酒精溶液）和温和的非研磨性溶液来清洁推车。表面光洁度可能会受到强力化学品和溶剂（如丙酮和三氯乙烯）的永久损坏。

不要使用钢丝绒或其他研磨性的布料来清洁。避免任何液体进入推车内部。

注意：我司不会对消毒效果做出声明。请咨询医院的感染控制部门专业人士。